



CALRAD Electronics

Instructions

For technical assistance
call: 323-465-2131



40-1063-HS-2



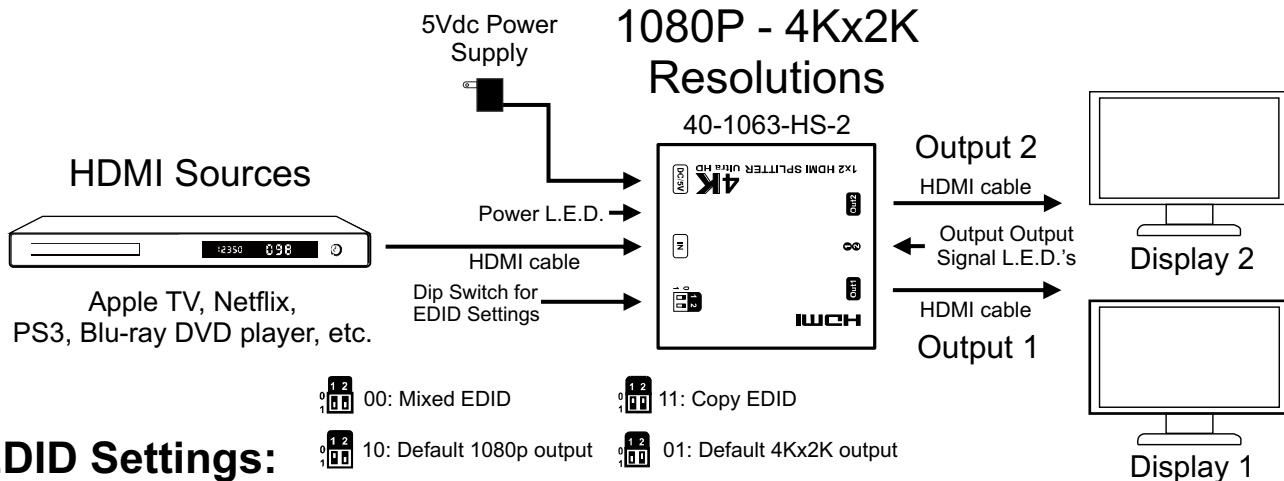
Power Supply

40-1063-HS-2
2-Way HDMI Splitter
Supports 3D, 4Kx2K@60Hz
(YUV 4:2:0) HDCP, EDID

Description

Calrad's 40-1063-HS-2 HDMI provides a simple solution for distribution of a HDTV 1080P or UHD 4K x 2K HDMI signal. A single HDMI source can be split into two separate HDMI outputs. Two L.E.D. Signal indicators provide HDMI signal connectivity on Outputs 1 and 2. Selectable EDID settings, see the typical hookup diagram below. Includes 5Vdc, 1 Amp power supply.

Typical Hookup



EDID Settings:

- 00: Mixed EDID
- 01: Default 4Kx2K output
- 10: Default 1080p output
- 11: Copy EDID

Note: restart the splitter when making changes to the EDID settings!

00: Mixed EDID: always follow the lowest resolution of the displays connected to output 2 in order to support all displays show the source.

11: Copy EDID: output 1 is prior port

a. When output 1 is connected to one display, another display which connected to output 2 will follow the Resolution of output 1.

b. When output 1 is disconnected, output 2 will output 1080p only.

10: Default 1080p output: output a default 1080p source, in this case all outputs will display 1080p if they support resolution 1080p and above.

01: Default 4Kx2K output: output a default 4Kx2K source, in this case all outputs will display 4Kx2K if they support resolution 4Kx2K and above.

Specifications

Video Resolution: Up to 4Kx2K(3840x2160@60Hz YUV 4:2:0)

Input Bandwidth Frequency: 10.2Gps

Supports: 3D, 36 Bit Color

Supports four kinds of EDID settings: mixed EDID, copy EDID, default 1080p output, default 4Kx2K output.

Audio: Supports LPCM 7.1, Dolby TrueHD, Supports LPCM 7.1, Dolby Digital Plus, TrueHD Master Audio.

Power: 5Vdc

Size: L-2.95" x W-2.67" x H-.992"

Package Contents

- 1 x HDMI 2 Way Splitter
- 1 x 5V/1A DC Adapter
- 1 x User Manual

www.calrad.com

Note: Apple TV and Netflix are registered trademarks